

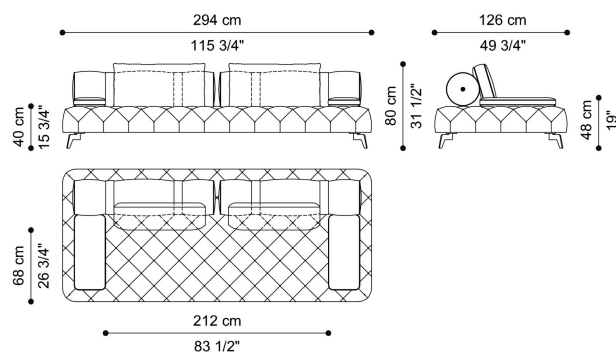


DESCRIPTION

Structure in solid poplar wood and multilayer pine wood.
 Under-seat frame with elastic webbing that guarantees springiness.
 Seat in variable thickness high density expansive polyurethane foam. Upholstery in fabric or leather from the collection (silk excluded) with capitonné.
 Roll cushions and armrests in expansive polyurethane foam, with internal structure in multilayer wood attached to the under-seat frame with a mechanical system. Upholstery in fabric or leather from the collection. Brass plates with RC monogram on the edges.
 Back cushions in goose down. Upholstery in fabric or leather from the collection.
 Feet in laser-cut metal in the glossy or brushed finishings from the collection.

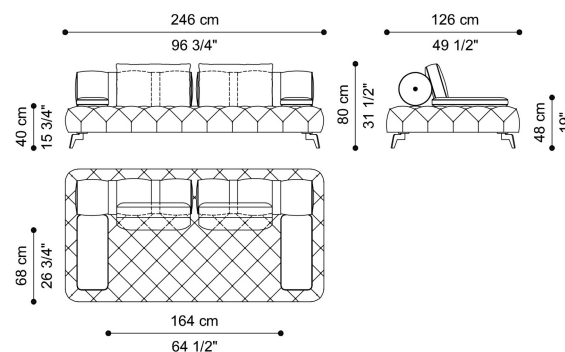
DIMENSIONS

3-SEATER SOFA - 2 CUSHIONS 60 X 30 CM RECOMMENDED
C.DRL.211.A



L 294 D 126 H 80 CM

2-SEATER SOFA - 2 CUSHIONS 50 X 30 CM RECOMMENDED
C.DRL.211.B



L 246 D 126 H 80 CM

OPTIONAL

LOGO
 RC Snake embroidery - On leather and selected fabrics only (1 side)
C.COM.841.CMX



SINGLE CUSHION
 Leather cat. A
C.COM.946.AAX



SINGLE CUSHION
 Leather cat. B
C.COM.946.ABX



SINGLE CUSHION
 Fabric cat. A
C.COM.946.AGX



SINGLE CUSHION
 Fabric cat. B
C.COM.946.AHX



SINGLE CUSHION
 Fabric cat. C
C.COM.946.AIX



FEET

METAL

Brushed Metal



Metal Brushed
Bronze

Metal Brushed Dark
Bronze

Metal Brushed Gold

Glossy Metal



Metal Black Chrome
- Glossy

Metal Chrome -
Glossy

Metal Gold - Glossy


UPHOLSTERY

FABRIC / LEATHER

 [download the file in the product page](#)

ACCESSORIES

DECORATIVE CUSHIONS

 [download the file in the product page](#)