

ORMA



FEATURES

COVER FABRIC

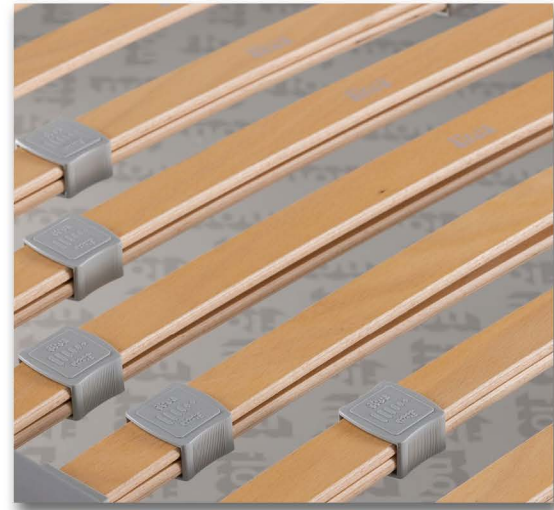


Available in all fabrics in the collection



Available in all leather or nubuk finishes from the collection

ADJUSTABLE SLATTED BASE



Multi-layer beech slats equipped with a system that adjusts the rigidity of the lumbar area

MOTION 4

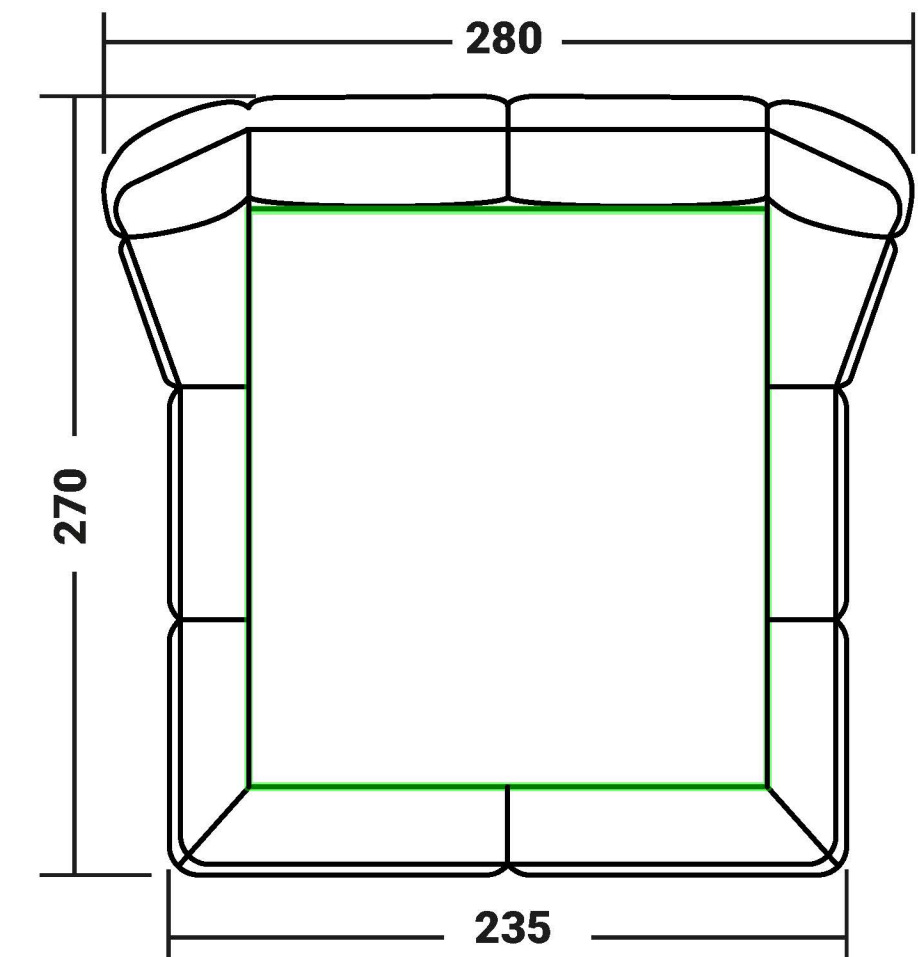
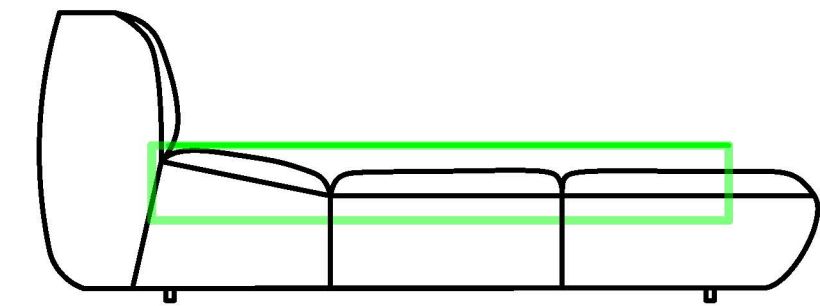
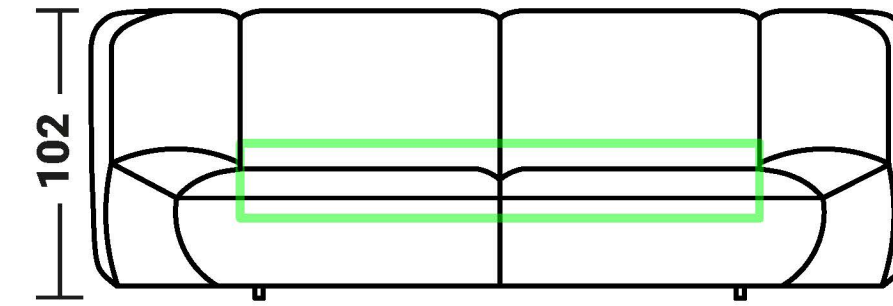


Bed base with 4 electric motors that allow you to independently customise the position of the head, shoulders, legs and feet.

FEET



FEET H6
matt burnished colour T013



AVAILABLE MATTRESS SIZES:
width 160 - 170 - 180 - 200 cm
length 200 - 210 cm

quotes relating to the 180x200 mattress

ORMA

TECHNICAL DATA SHEET

BASE MATERIALS

Structure: Pine plywood panel - Medium density fibreboard panels coated with melamine paper with logo

Padding: Flexible cold-expanded polyurethane resins - Microflock ® 100% recycled PET flakes - 1 cm velvet. 100% polyamide coupled with polyurethane

Cover fabric: See label attached to fabric

Frame: Epoxy powder coated iron - Nylon plastic material - UNI 6060 aluminium alloy with natural chemical satin oxidation - White galvanised iron - PVC plastic material

Rest plan: Slatted base: curved beech plywood, natural finish - Polypropylene plastic material - Polyethylene plastic material

Hardware: Iron coated with epoxy powder

HEADBOARD MATERIALS

Structure: Pine plywood panel - Medium density fibreboard panels coated with melamine paper featuring logo

Padding: Velvet 1 cm. 100% polyamide coupled with polyurethane

Cover fabric: See label attached to fabric

FEET MATERIALS

FEET: PVC plastic material · Matt burnished aluminium finish

MAINTENANCE

The bed is covered in fabric or leather that are completely removable.
For washing instructions, see the label attached to the fabric.